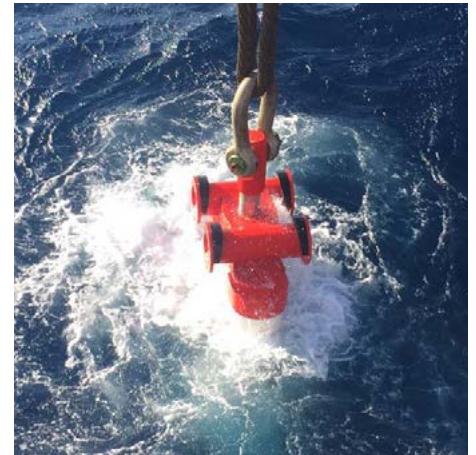


PASSIVE HEAVE COMPENSATOR MAXINE PHC

All rights reserved. Reproduction in any form or by any means is not allowed, without prior permission in writing from IHC Merwede Holding BV.



Hoisting and lowering a load under maritime conditions entails dealing with peak forces stemming from the oscillations of the waves. This challenge has prompted us to design the Maxine PHC, a new passive heave compensation system.

Maxine PHC reduces peak forces and fluctuations during lifting and lowering operations where waves are generating oscillating movements. This allows you to work longer at high sea states, minimise your downtime and extend your weather window. Maxine PHC keeps the rope taut at all times and reduces both the peaks and troughs by following the motion of the sea. This allows work to proceed safely, efficiently and in a controlled manner.

As standard, Maxine PHC carries approval from Lloyd's Register of Shipping, but approval from any other classification organisation can be supplied.

Maxine PHC is available for use worldwide and there is no need for special lifting frames to be installed. The Maxine PHC system is positioned between the hook of the crane and the load, and can also be used underwater. It operates as a stand-alone system, eliminating the need for an external power source.

MAXINE

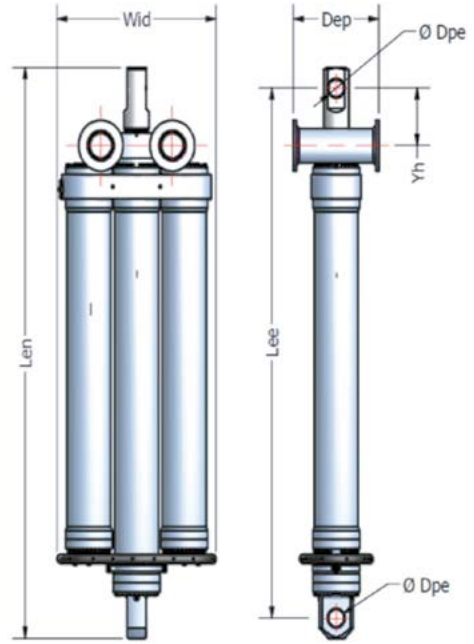


**THE TECHNOLOGY
INNOVATOR.**

MAXINE PHC

Maxine PHC can be equipped for dynamic loads varying from 25 up to 550 metric tonnes. Other load limits are available on request.

| MAX DYNAMIC LOAD (MT) | LENGTH (MM) | STROKE (MM) | WEIGHT (TONNES) |
|-----------------------|-------------|-------------|-----------------|
| PHC 25 | 30 | 3000 | 1.6 |
| PHC 50 | 60 | 3000 | 2.5 |
| PHC 100 | 120 | 3000 | 6.0 |
| PHC 230 | 276 | 3000 | 10.5 |
| PHC 550 | 660 | 4500 | 28.6 |



| SIZE [MT] | LENGTH [MM] | WIDTH [MM] | DEPTH [MM] | DIAMETER PIN [MM] | YOKE HEIGHT [MM] | LENGTH C.T.C. [MM] |
|-----------|-------------|------------|------------|-------------------|------------------|--------------------|
| | LEN | WID | DEP | DPE | YH | LEE |
| PHC 25 | 3975 | 880 | 440 | 70 | 260 | 3820 |
| PHC 50 | 4055 | 1010 | 500 | 85 | 240 | 3835 |
| PHC 100 | 4550 | 1380 | 710 | 125 | 355 | 4055 |
| PHC 230 | 5065 | 1620 | 910 | 157 | 509 | 4695 |
| PHC 550 | 7155 | 2270 | 1280 | 230 | 614 | 6610 |

- for use both above water and underwater
- no external power required
- reduces costs by enabling you to work longer at high sea states
- no special lifting frames required.

ADDITIONAL OPTIONS AVAILABLE FOR MAXINE PHC

- load increase option via a tandem assembly
- enabling functionality or start/stop functionality
- quick lift option
- yoke reduces building-in length
- longer strokes for underwater operations.



**THE TECHNOLOGY
INNOVATOR.**

IHC Vremac Cylinders B.V.

Oude Apeldoornseweg 33J
7333 NR Apeldoorn
The Netherlands

T +31 88 015 29 00
www.ihcvremac.com
www.royalihc.com