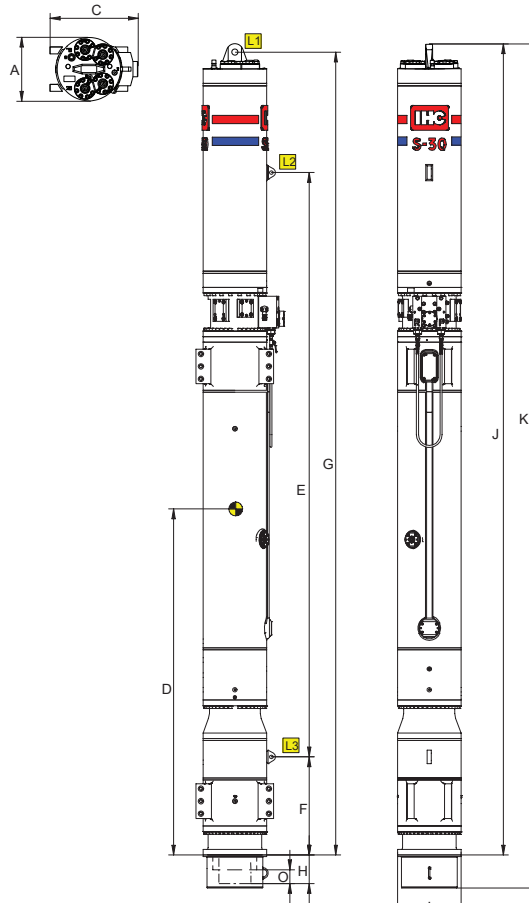


# HYDROHAMMER® S-30

Application:

**Hydrohammer® Leader guided for steel piles**  
**Piling free hanging in air and underwater**

data sheet no. 1.1.10001  
 revision 7  
 date March, 2019  
 page 1/2  
 code no. 85 08 00 01



POS. DESCRIPTION	LENGTH [MM]	POS. DESCRIPTION	LENGTH [MM]
A Transport width	465	G Length under crane hook	5800
C Transport height	635	H Required length in sleeve	206
D Centre of gravity	2500	I Outer diameter	457
E Position lifting eyes	4220	J Length	5860
F Position lifting eyes	710	K Transport length (incl. cover)	6100
		O Fall out ram weight	100

POS. LIFTING EYES	WORKING LOAD LIMIT [TONS]	HOLE DIAM. Ø [MM]	THICKNESS [MM]
L1	17	45	50
L2/L3	6,5	27	30

Standard (type G-4163) for Top Shackle



# HYDROHAMMER® S-30

data sheet no.	1.1.10001
revision	7
date	March, 2019
page	2/2
code no.	85 08 00 01

## OPERATING DATA

Max. net energy	30	kJ
Min. net energy	3	kJ
Blow rate	65	Blows/min
At max. energy and recommended oil flow		

## WEIGHT

Ram	1,5	tons
Hammer (incl. ram, in air)	4	tons
Hammer (incl. ram, in salt water) (Only if fully submerged)	3,1	tons

## HYDRAULIC DATA

Operating pressure	240	bar
Max. pressure	350	bar
Recommended oil flow	175	l/min
Power pack, back pressure valve setting	18 - 22	bar
Power pack, back pressure valve	activated	

## GAS FILLING PRESSURE

*Vertical pile driving only! Values will vary for:*  
*- pile driving under different angles with the vertical,*  
*- pile driving underwater depending on water depth.*

Supply accumulator (Nitrogen)	120 - 140	bar
Return accumulator (Nitrogen):		
- with activated back pressure valve*	13 - 17	bar
- without back pressure valve	3 - 5	bar
Cap (Nitrogen or Air)	13 - 15	bar

## SAFETY SETTING

Cap	40	bar
-----	----	-----

## HOSE CONNECTIONS

Oil supply 1" hose (P)	M42x2 male
Oil return 1" hose (R)	M42x2 male
Air to cap (CA)	R 3/4" male

### \* NOTE

IHC IQIP recommends to use a back pressure in the return line of the hydraulic system circuit while pile driving. In case a power pack does not have a back pressure valve installed, it is recommended to install one.



## IHC IQIP BV

P.O. Box 204, 3360 AE Sliedrecht  
Molendijk 94, 3361 EP Sliedrecht  
The Netherlands

T +31 88 015 50 00  
info.iqip@ihciqip.com  
www.ihciqip.com