

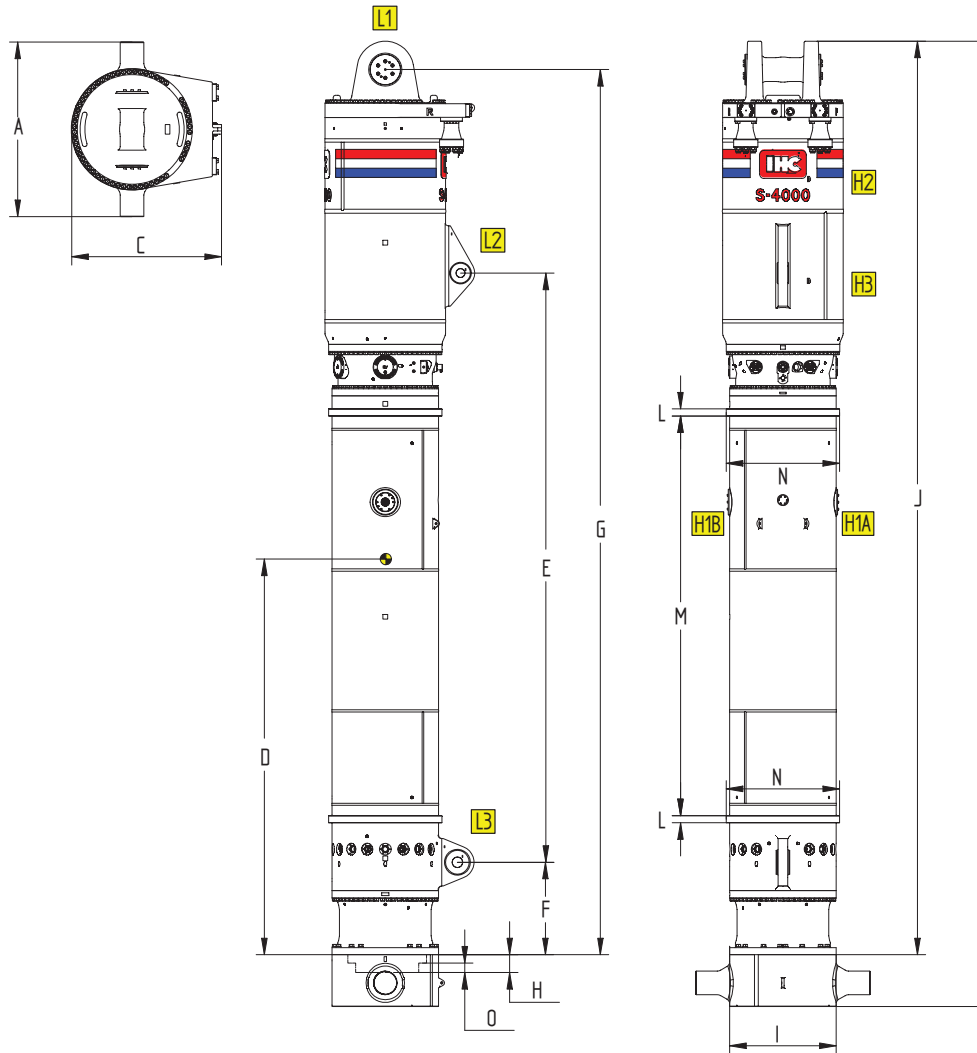
HYDROHAMMER® S-4000

Application:

Hydrohammer® for steel piles

Piling free hanging in air and underwater

data sheet no. 1.1.10114
 revision 11
 date October, 2018
 page 1/2
 code no. 85 47 00 00



POS. DESCRIPTION	LENGTH [MM]	POS. DESCRIPTION	LENGTH [MM]
A Transport width	3690	I Outer diameter	2250
C Transport height	3175	J Length	19315
D Centre of gravity	8365	K Transport length (incl. up ending cap)	20410
E Position lifting eyes	12460	L Height ballast collar	150
F Position lifting eyes	1955	M Position ballast cover	8450
G Length under crane hook	18715	N Diameter ballast collar	2395
H Required length in sleeve	375	O Fall out ram weight pin	200

POS. LIFTING EYES	WORKING LOAD LIMIT [TONS]	HOLE DIAM. Ø [MM]	THICKNESS [MM]
L1*	1250	-	-
L2	500	185	240
L3	700	220	290
H1A/H1B	17	43	45
H2/H3	6,5	26	30

*Use soft sling for top lifting



HYDROHAMMER® S-4000

data sheet no. 1.1.10114
revision 11
date October, 2018
page 2/2
code no. 85 47 00 00

OPERATING DATA

Max. net energy	4000 kJ
Min. net energy	397 kJ
Blow rate	28 - 36 Blows/min
At max. energy and recommended oil flow	

WEIGHT

Ram	200 tons
Upend cover	10 tons
Hammer (incl. ram, in air)	430 tons
Hammer (incl. ram, in salt water) (Only if fully submerged)	350 tons

HYDRAULIC DATA

Operating pressure	330 bar
Max. pressure	350 bar
Recommended oil flow	5500 - 6600 l/min
Power pack, back pressure valve setting	20 - 25 bar
Power pack, back pressure valve	activated

GAS FILLING PRESSURE

Vertical pile driving only! Values will vary for:
- pile driving under different angles with the vertical,
- pile driving underwater depending on water depth.

Supply accumulator (Nitrogen)	180 - 200 bar
Return accumulator (Nitrogen):	
- with activated back pressure valve*	10 - 15 bar
- without back pressure valve	Not applicable
Cap (Nitrogen or Air)	38 - 42 bar

SAFETY SETTING

Cap	60 bar
-----	--------

HOSE CONNECTIONS

Oil supply 6x3" hose (4xP)	M100x2 male
Oil return 6x3" hose (4xR)	M100x2 male
Air to cap (CA)	M52x2 male

* NOTE

IHC IQIP recommends to use a back pressure in the return line of the hydraulic system circuit while pile driving.
In case a power pack does not have a back pressure valve installed, it is recommended to install one.



IHC IQIP BV

P.O. Box 204, 3360 AE Sliedrecht
Molendijk 94, 3361 EP Sliedrecht
The Netherlands

T +31 88 015 50 00
info.iqip@ihciqip.com
www.ihciqip.com