

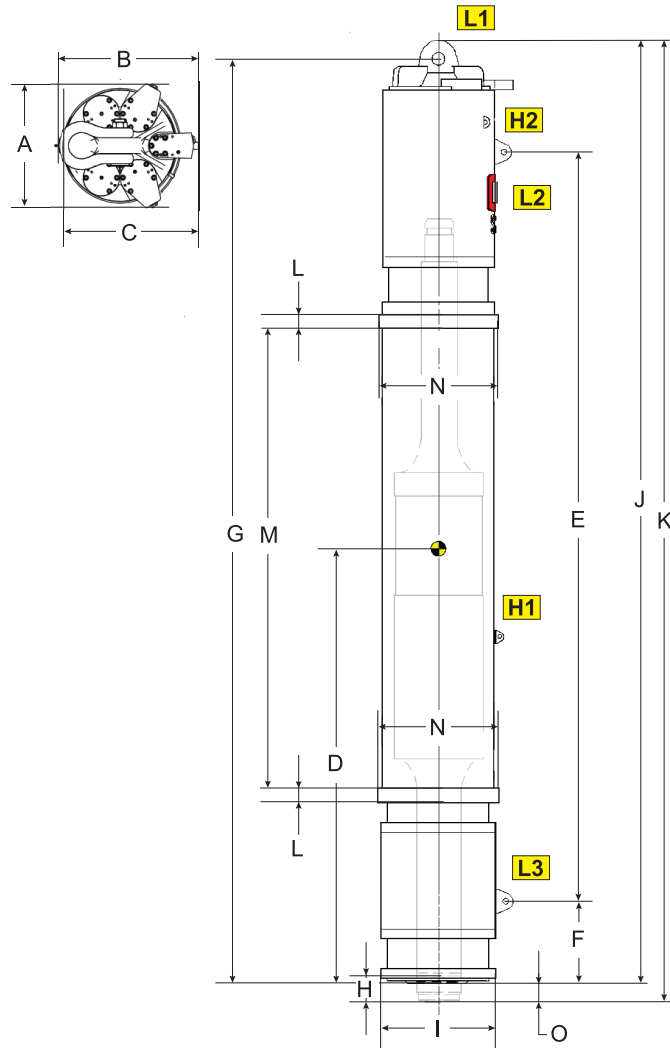
# HYDROHAMMER® S-500

Application:

**Hydrohammer® for steel piles**

**Piling free hanging in air and underwater**

data sheet no. 1.1.10124  
 revision 0  
 date November, 2017  
 page 1/2  
 code no. 85 31 00 01-B07



POS. DESCRIPTION	LENGTH [MM]	POS. DESCRIPTION	LENGTH [MM]
A Transport width	1360	I Outer diameter	1220
B Transport height (with shackle)	1564	J Length	10200
C Transport height (without shackle)	1440	K Transport length (incl. cover)	10400
D Centre of gravity	4710	L Height ballast collar	160
E Position lifting eyes	8100	M Position ballast cover	4970
F Position lifting eyes	895	N Diameter ballast collar	1260
G Length under crane hook	10000	O Fall out ram weight pin	200
H Required length in sleeve	260		

POS. LIFTING EYES	WORKING LOAD LIMIT [TONS]	HOLE DIAM. Ø [MM]	THICKNESS [MM]
L1	250	145	170
L2/L3	55	75	90
H1	12	40	40
H2	2	18	20

Use Green Pin® Heavy duty (type P- 6036) for Top Shackle



# HYDROHAMMER® S-500

data sheet no. 1.1.10124  
revision 0  
date November, 2017  
page 2/2  
code no. 85 31 00 01-B07

## OPERATING DATA

Max. net energy	500 kJ
Min. net energy	20 kJ
Blow rate	45 Blows/min
At max. energy and recommended oil flow	

## WEIGHT

Ram	25 tons
Hammer (incl. ram, in air)	55 tons
Hammer (incl. ram, in salt water) (Only if fully submerged)	45 tons

## HYDRAULIC DATA

Operating pressure	250 - 300 bar
Max. pressure	350 bar
Max. oil flow	1400 l/min
Power pack, back pressure valve setting	18 - 22 bar
Power pack, back pressure valve	activated

## GAS FILLING PRESSURE

*Vertical pile driving only! Values will vary for:*  
*- pile driving under different angles with the vertical,*  
*- pile driving underwater depending on water depth.*

Supply accumulator (Nitrogen)	130 - 160 bar
Return accumulator (Nitrogen):	
- with activated back pressure valve*	13 - 17 bar
- without back pressure valve	3 - 5 bar
Cap (Nitrogen or Air)	15 - 22 bar

## SAFETY SETTING

Cap	60 bar
-----	--------

## HOSE CONNECTIONS

Oil supply 2" hose P (red)	M68x2 male
Oil return 2" hose R (blue)	M68x2 male
Nitrogen (Air) cap R ¾"	M42x2 male

### \* NOTE

IHC IQIP recommends to use a back pressure in the return line of the hydraulic system circuit while pile driving.  
In case a power pack does not have a back pressure valve installed, it is recommended to install one.



## IHC IQIP BV

P.O. Box 204, 3360 AE Sliedrecht  
Molendijk 94, 3361 EP Sliedrecht  
The Netherlands

T +31 88 015 50 00  
info.iqip@ihciqip.com  
www.ihciqip.com